

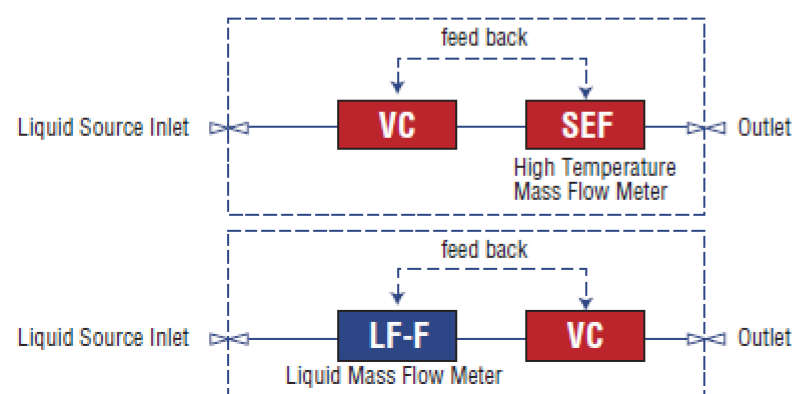
# VC series

Direct injection

Compact vaporization system that can be used in different configurations, thanks to its use of non-carrier vaporization

- ▶ Compact size
- ▶ Can be installed in a variety of positions.
- ▶ Best-selling TEOS vaporization system models.
- ▶ It combines SEF or LF, and digital control is possible.
- ▶ No need for a special bubbling tank or vaporization tank.
- ▶ Lineup of DeviceNet™ model.
- ▶ RoHS Compliance

VC series non-carrier type



High temperature mass flow meter SEF-8240

**RoHS regulations:**

RoHS stands for "Restriction of Hazardous Substances" and is a set of regulations enforced in the EU to limit the use of six hazardous substances (lead, mercury, cadmium, hexavalent chromium, polybrominated biphenyls (PBBs) and polybrominated diphenyls (PBDEs)), in electric and electronic components.

# VC series

RoHS Compliance

Model	VC-1420
Flow rate generated*1 (During TEOS generation)	Max.5.0 CCM(liquid phase convention)
Liquids supported	TEOS, P(OCH3)3, C6F6
Temperature rise	Max. 150°C
Pressure generated	Reduced pressure
External leak integrity	1.0x10 <sup>-8</sup> Pa·m <sup>3</sup> /s
Internal Leak Integrity	1.0x10 <sup>-6</sup> Pa·m <sup>3</sup> /s
Wetted material	316L Stainless Steel ( polished surface )
Internal heater volume	AC 100V to 120V 70W(35Wx2)
Temperature sensor used	Thermocouple K type (CA)
Pressure Resistance	1.0MPa (G)
Standard Fitting	Liquid inlet: 1/8 inch VCR type male Gas outlet: 1/4 inch VCR type female