

ORDERING INFORMATION

	DD105			DD605			DD1205		DD2005	
	L	P	PW	L	P	PW	P	PW	P	PW
Low Voltage (200~230V) 50/60Hz	172100	172506	172508	172700	172706 172716	172708 172718	172806 172816	172808	172906	172908
High Voltage (308~415V), (460~480V) 50/60Hz	172100HV	172506HV	172508HV	172700HV	172706HV 172716HV	172708HV 172718HV	172806HV 172816HV	172808HV	172906HV	172908HV

6th Digits in Catalog Number(X) / 0=Load Lock / 1=Inverter Control / 6=Exhaust heating, CVD purge / 8=Heat exchanger, CVD Purge

TECHNICAL DATA

	Unit	DD105	DD605	DD1205	DD2005
Pumping speed	m ³ /hr	100	480	900	1,800
	ℓ/min	1,700	8,000	15,000	30,000
Ultimate pressure with module purge	Torr	≤ 5.0 × 10 ⁻³			
	Pa	≤ 6.6 × 10 ⁻³			
Maximum exhaust pressure	bar (psig)	1.5 (7.2)			
Nitrogen supply pressure	bar (psig)	4 ~ 8 (43 ~ 100)			
Internal purge-gas pressure	bar (psig)	3 (29)			
Nitrogen consumption (ETCH)	slm	13			
Nitrogen consumption (CVD)	slm	50			
Nitrogen connection	inch	1/4" Lok Fitting			
Cooling water consumption	ℓ/min	1.8 ~ 7.6			
Cooling water supply temp	°C (°F)	15 ~ 30 (59 ~ 86)			
Cooling water supply pressure (with ΔP≥1bar)	bar (psig)	3.5 ~ 9 (36 ~ 116)			
Cooling water connection	inch	3/8" Lok Fitting			
Intake port	mm	DN 63 ISO-K	DN 100 ISO-K	DN 160 ISO-K	DN 200 ISO-K
Exhaust port	mm	DN 40 KF			
Dimension (W×L×H)	mm ³	400×864×597	419×955×818	419×1,085×928	682×1,100×1,472
Weight	kg (lbs)	278 (613)	435 (959)	578 (1,274)	965 (2,127)
Maximum ambient temperature	°C (°F)	40 (104)			
Minimum ambient temperature	°C (°F)	10 (50)			
Power consumption at ultimate pressure (DP+BP)	kW	5.0	5.4	5.6	6.1
Rated motor power (DP+BP)	kW	5.0	7.0	9.0	14.0
Supply voltage-Multi-Voltage motor	V/∅/Hz	200, 208, 230, 460, 480V (±10%) / 3∅ / 60Hz 200, 208, 380, 415V (±5%) / 3∅ / 50Hz			
Oil charge volume (DP+BP)	ℓ	1.10	1.90	2.80	3.70

※ Option can be set, power consumption → average

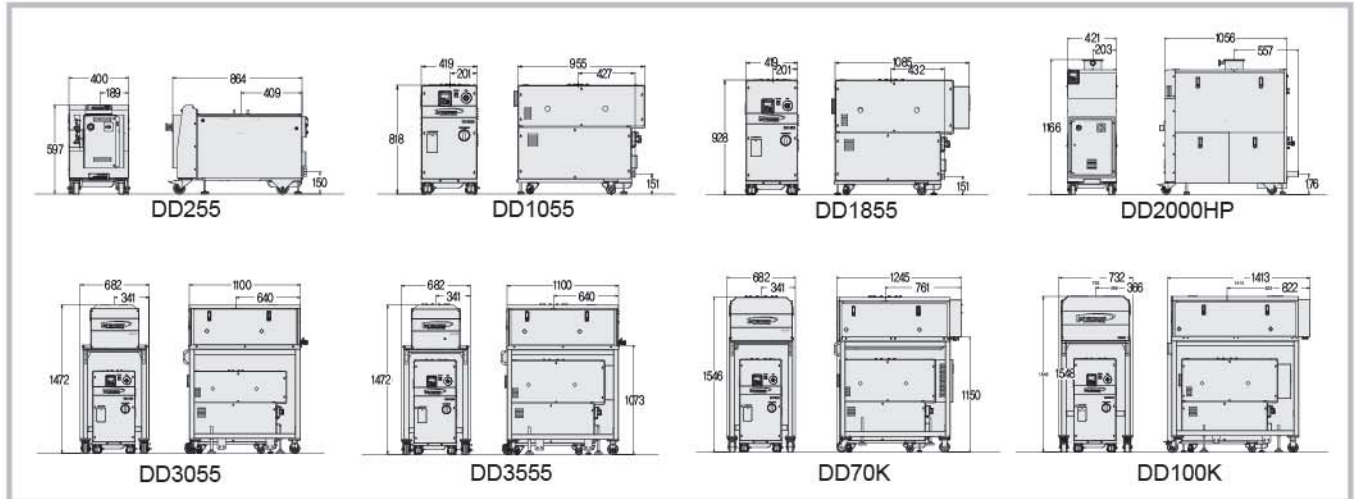
※ Ultimate pressure with module purge – based on normal concept, varies by each temperature concept

ORDERING INFORMATION

	DD255		DD1055			DD1855		DD2000HP	DD3055		DD3555	
	P	PW	P	PW	H	P	PW	H	P	PW	P	PW
Low Voltage (200~230V) 50/60Hz	272506	272508	272706 272716	272708 272718	272706H	272816	272808 272818	272416HPN 274116H	272216	272218	272916	272918
High Voltage (308~415V),(460~480V) 50/60Hz	272506HV	272508HV	272706HV 272716HV	272708HV 272718HV	-	272816HV	272808HV 272818HV	272416HVP 274116HPN	272216HV	272218HV	272916HV	272918HV

6th Digits in Catalog Number(X) / 0=Load Lock / 1=Inverter Control / 6=Exhaust heating, CVD purge / 8=Heat exchanger, CVD Purge

PLAN



TECHNICAL DATA

	Unit	DD255	DD1055	DD1855	DD2000HP	DD3055	DD3555	DD70K	DD100K
Pumping speed	m ³ /hr	200	600	1,200	1,800	1,800	3,000	4,250	6,000
	ℓ/min	3,400	10,000	20,000	30,000	30,000	50,000	70,000	100,000
Ultimate pressure with module purge	Torr	≤ 5.0 × 10 ⁻³							
	Pa	≤ 6.6 × 10 ⁻¹							
Maximum exhaust pressure	bar (psig)	1.5 (7.2)							
Nitrogen supply pressure	bar (psig)	4 ~ 8 (43 ~ 100)							
Internal purge-gas pressure	bar (psig)	3 (29)							
Nitrogen consumption (ETCH)	slm	13							
Nitrogen consumption (CVD)	slm	50							
Nitrogen connection	inch	1/4" Lok Fitting							
Cooling water consumption	ℓ/min	1.8 ~ 7.6							
Cooling water supply temp	°C (°F)	15 ~ 30 (59 ~ 86)							
Cooling water supply pressure (with ΔP≥1bar)	bar (psig)	3.5 ~ 9 (36 ~ 116)							
Cooling water connection	inch	3/8" Lok Fitting							
Intake port	mm	DN 63 ISO-K	DN 100 ISO-K	DN 160 ISO-K		DN 200 ISO-K		DN 250 ISO-K	DN 320 ISO-K
Exhaust port	mm	DN 40 KF							
Dimension (W×L×H)	mm ³	400×864×597	419×955×818	419×1085×928	421×1056×1166	682×1100×1472	682×1100×1472	682×1245×1546	732×1413×1548
Weight	kg (lbs)	278 (613)	435 (959)	577 (1272)	612 (1349)	870 (1918)	1012 (2231)	1357 (2992)	1457 (3212)
Maximum ambient temperature	°C (°F)	40 (104)							
Minimum ambient temperature	°C (°F)	10 (50)							
Power consumption at ultimate pressure (DP+BP)	kW	5.0	5.3	5.5	5.8	6.0	6.2	7.0	7.2
Rated motor power (DP+BP)	kW	5.0	7.0	9.0		14.0	16.0	20.0	
Supply voltage-Multi-Voltage motor	V/∅/Hz	200, 208, 230, 460, 480V (±10%) / 3∅ / 60Hz 200, 208, 380, 415V (±5%) / 3∅ / 50Hz							
Oil charge volume (DP+BP)	ℓ	1.10	1.90	2.80		3.70	4.60	6.80	

※ Option can be set, power consumption → average
 ※ Ultimate pressure with module purge – based on normal concept, varies by each temperature concept