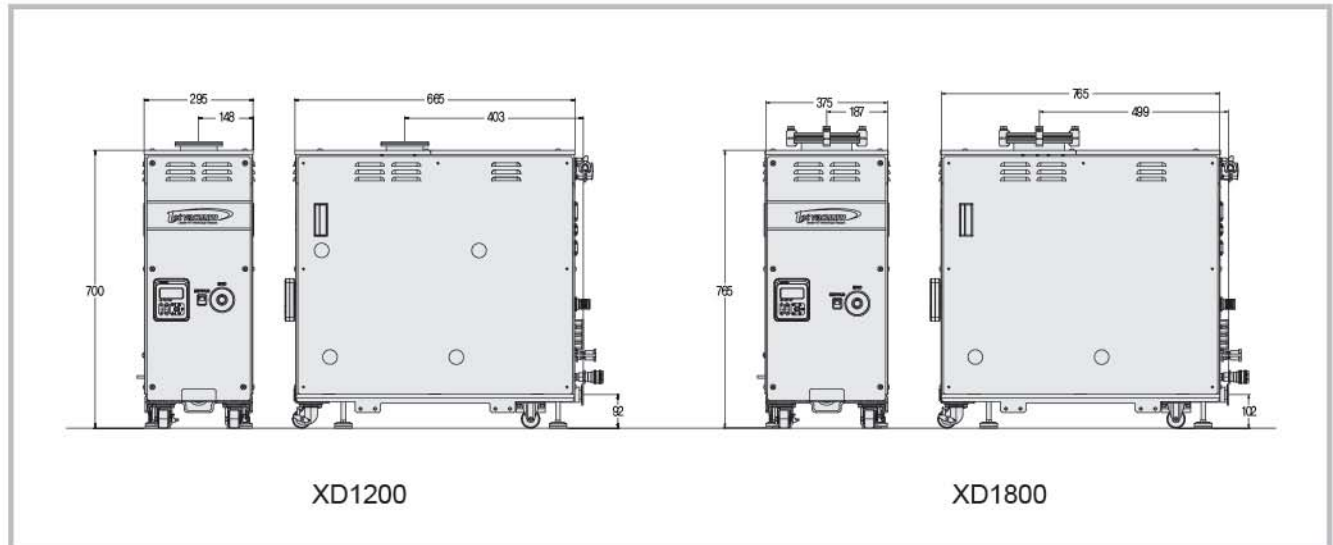


ORDERING INFORMATION

	XD1200	XD1800
Low Voltage	X1002200C	X2004411H

PLAN



TECHNICAL DATA

	Unit	XD1200	XD1800
Pumping speed	m ³ /hr	1,200	1,800
	ℓ/min	20,000	30,000
Ultimate pressure with module purge	Torr	≤ 5.0 × 10 ⁻³	≤ 7.5 × 10 ⁻³
	Pa	≤ 6.6 × 10 ⁻¹	≤ 9.9 × 10 ⁻¹
Maximum exhaust pressure	bar (psig)	1.5 (7.2)	
Nitrogen supply pressure	bar (psig)	4 ~ 8 (43 ~ 100)	
Internal purge-gas pressure	bar (psig)	3 (29)	
Nitrogen consumption (ETCH)	slm	40~44	
Nitrogen consumption (CVD)	slm	40~44	
Nitrogen connection	inch	1/4" Lok Fitting	
Cooling water consumption	ℓ/min	2 ~ 11.4	
Cooling water supply temp	°C (°F)	15 ~ 25 (59 ~ 77)	
Cooling water supply pressure (with ΔP≥1bar)	bar (psig)	3.5 ~ 6 (36 ~ 73)	
Cooling water connection	inch	3/8" Quick Connector	
Intake port	mm	DN 100 ISO-K	DN 160 ISO-K
Exhaust port	mm	NW40	
Dimension (W×L×H)	mm ³	295×665×700	375×765×765
Weight	kg (lbs)	190	248
Maximum ambient temperature	°C (°F)	40 (104)	
Minimum ambient temperature	°C (°F)	10 (50)	
Power consumption at ultimate pressure (DP+BP)	kW	1.5	2.0
Rated motor power (DP+BP)	kW	6.0	7.0
Supply voltage-Multi-Voltage motor	V/∅/Hz	200~230, 380~480V (±10%) / 3∅ / 60Hz 200~230, 380~460V (±5%) / 3∅ / 50Hz	
Oil charge volume (DP+BP)	ℓ	0.65	

※ Option can be set, power consumption → average

※ Ultimate pressure with module purge – based on normal concept, varies by each temperature concept